

# Tiandy



## TC-H348M Spec: 63X/IL/E++/A 4MP 63× Super Starlight IR Laser AEW AI PTZ Camera

Pro Series



### KEY FEATURES

- 1/1.8" CMOS Sensor
- Up to 4MP 2560x1440@30fps
- Optical zoom: 63×, digital zoom 16×
- Min. illumination Color: 0.001Lux@F1.6
- Smart IR, IR Range: 300m
- Laser Distance: 500m
- Built-in Speaker
- Built-in Wiper
- Built-in Electronic Compass
- S+265/H.265/H.264/M-JPEG
- Monitoring/Intelligent Monitoring/ Face Capture mode
- Auto-tracking Early Warning (AEW)
- Support Laser Point
- Alarm 8 in and 2 out, Audio 1 in and 1 out
- Plugin Free
- IP66
- DC36V±25%, POE++(IEEE802. bt)



**Tiandy Technologies Co.,Ltd.**

Email: [sales@tiandy.com](mailto:sales@tiandy.com)

Tel: +86-22-58596065

Website: [en.tiandy.com](http://en.tiandy.com)

Fax: +86-22-58596048

# Tiandy

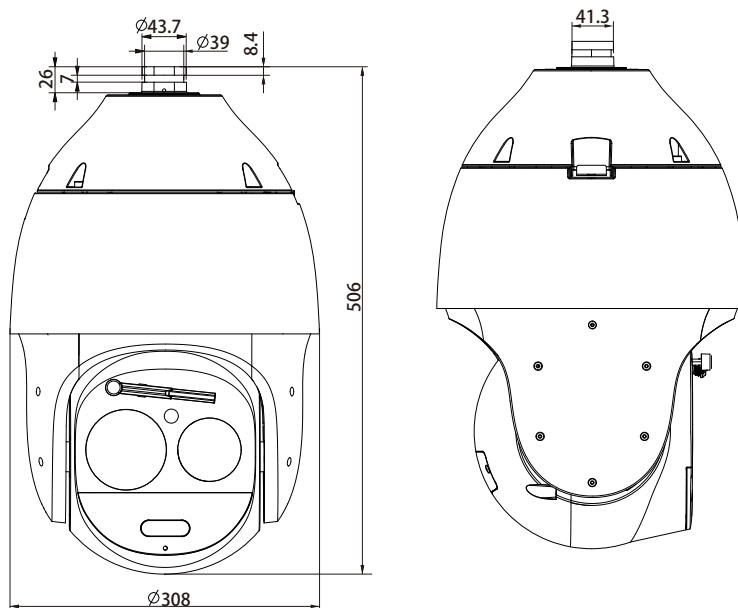
## SPECIFICATIONS

Camera	
Image Sensor	1/1.8" CMOS
Min. Illumination	Color: 0.001lux@ (F1.6, AGC ON), 0lux with IR
Shutter Time	1/1s~1/100000s
Day&Night	IR-cut filter with auto switch (ICR)
WDR	120dB,only in monitoring mode
Lens	
Focal Length	5.7-359mm
Optical Zoom	63X
Digital Zoom	16X
Zoom Speed	<8s
Aperture Range	F1.63~F4.94
Field of View	Horizontal filed of view: 60° (w)~1.54° (t) , Vertical filed of view: 35.5° (w)~0.87° (t), Diagonal field of view: 67.5°(w)~1.77(t)
Focus Control	Auto,semi-auto>manual
Iris Control	Auto
Close Focus Distance	1000mm~3000mm
DORI Distance	Detect: 3800m Observe: 1508m Recognize: 760m Identify: 380m
Pan&Tilt	
Pan Range	360°
Pan Speed	Manual Speed: 0.1°~200°/s Pan Preset Speed: 240°/s
Tilt Range	-21°~90° (Default -13°~90°)
Tilt Speed	Tilt Manual Speed: 0.1°~180°/s, Tilt Preset Speed: 180°/s
3D Position	Yes
Preset	500
Cruise	16, up to 32 presets per cruise
Scan	8
Pattern	8, each with 600s memory or 1000 orders
Scheduled Task	Preset,Cruise,Scan,Pattern
North Point	Yes
Power-off Memory	Yes
Preset Freezing	Yes
Illuminator	
IR LEDs	11
IR Distance	300m
Wavelength	850nm
IR Irradiation Angle	Adjustable by Zoom
White LEDs	2, support white/blue/red light flash
Whitelight Distance	30m
Laser	6
Laser Distance	500m
Compression Standard	
Video Compression	S+265/H.265/H.264 (High profile、 Main profile、 Baseline)
Video Bit Rate	32Kbps~16Mbps
Audio Compression	G.711A/G.711U/ADPCM_D/AAC_LC
Audio Sampling Rate	8kHz/32kHz/48kHz
Image	
Max. Resolution	2560x1440@30fps
Main Stream	PAL: 25fps(2560x1440,2304×1296,1920x1080,1280x720) NTSC: 30fps(2560x1440,2304×1296,1920x1080,1280x720)
Sub Stream	PAL: 25fps(704x576,704x288,352x288,640x360) NTSC: 30fps(704x480,704x240,352x240,640x360)
Third Stream	PAL: 25fps(704x576,704x288,352x288,640x480) NTSC: 30fps(704x480,704x240,352x240,640x480)
BLC	Yes
HLC	Yes
AGC	Yes

# Tiandy

Noise Reduction	2D/3D
White Balance	Yes
ROI	7 Dynamic Areas for Both Main and Sub Stream
EIS	Yes
OSD	5 regions(Each region can have a maximum of 127 characters or 42 Chinese characters, up to 5 lines);16*16/24*24/32*32/48*48/64*64/96*96/adaptable size
Defog	Digital defog
Flip	Normal/Inverted Flip
Regional Exposure	Yes
Regional Focus	Yes
Demist	Yes
<b>Feature</b>	
Alarm Trigger	Motion Detection;Mask Alarm;N/A;Disk Full;Disk R/W Error;IP Address Conflict;MAC Address Conflict; FTP Server Exception ;Event Input, Event Output
Linkage Method	send email;trigger sound;trigger warmlight;trigger recording;trigger capture;notify surveillance center
Video Analytics	Human/Vehicle Classification;Tripwire;Double Tripwire;Perimeter;Object Abandon;Object Lost;Heatmap; Loitering;Running;Parking;People Counting;Crowed;Safety Helmet Detection;On Duty Detection; Video Abnormal;Audio Abnormal
Early Warning(EW)	Three level,Voice warning support 35 voice messages; Laser driven away; Three-light flash warning
Auto-Tracking	Auto-Tracking
Face Mode	Face Capture
Face Caputure Performance	Detects up to 32 faces at the same scene
<b>Network</b>	
ANR	Yes
Protocols	HTTP;HTTPS;TCP/IP;UDP;UPnP;SNMP;DHCP;DNS;DDNS;Easy DDNS;NTP;SMTP;SSL;802.1X;QoS;IPv4;IPv6; PPPOE;Unicast;Multicast;SRTP;RTSP;FTP;SFTP;NAS
System Compatibility	ONVIF Profile S/T/G/M;CGI;RTMP
Remote Connection	≤4
User/Host	Up to 32 users. 4 user levels
Client	Easy7 Smart Client
Moblle Client	EasyLive Plus
Web	IE10+;Firefox52+;Edge89+;Safari11+;Chrome57+
<b>Interface</b>	
Communication Interface	1 RJ45 10M/ 100M self adaptive Ethernet port
Audio I/O	1,Input Impedance 1kΩ,2.0~2.4Vp-p;1,Output Impedance 600Ω
Alarm I/O	8,Switching;2,Switching,Voltage≤DC24V,Current≤1A
Built-In Speaker	1,4Ω4W
Reset Button	Yes
On-board storage	Built-in Micro SD card slot, up to 512 GB
RS-485	Yes
BNC	Yes(Debugging use)
Wiper	Yes
Electronic Compass	Yes
GPS/BDS	N/A
<b>General</b>	
Web Client Language	17 languages Simple Chinese/English/Traditional Chinese/Spanish/Italian/ Korean/Turkish/Russian/Thai/ Polish/French/Dutch/ Hebraism/Vietnamese/Arabic/German/ Ukrainian
Operating Temperature	-40°C~70°C(IR OFF) -40°C~40°C(IR ON)
Operating Humidity	0-95%
Storage Temperature	-40°C~70°C
Storage Humidity	0-95%(non-condensing)
Power Supply	DC 36(1±25)%;POE 802.3BT
Power Consumption	37W (IR OFF), 62W (IR ON)
Protection	Surge protection 2000V;Lightning proof 6000V;IP66
Heater	Yes
Material	Metal
Boundary Dimensions	308mm(D)×505mm(H)
Package Dimensions	445(L)445(W)700(H)mm
GrossWeight	17.95kg
NetWeight	12.75kg

## DIMENSIONS (Unit: mm)



## ACCESSORIES



DF20Y  
Wall Mount

## OPTIONAL



A36  
Pole Mount



DF21Y  
Pendant Mount



A35  
Corner Mount



811  
Junction Box

DISTRIBUTED BY



Tiandy Technologies Co.,Ltd.

Email: sales@tiandy.com

Tel: +86-22-58596065

Website: en.tiandy.com

Fax: +86-22-58596048